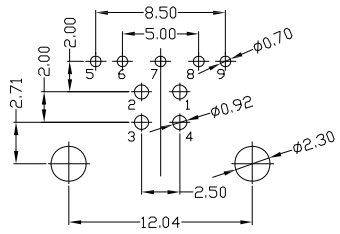
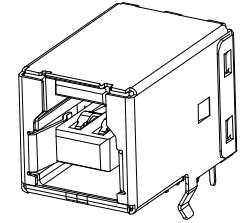


CUST. MODEL:	REF.
CUST. P/N	DWG FILE:

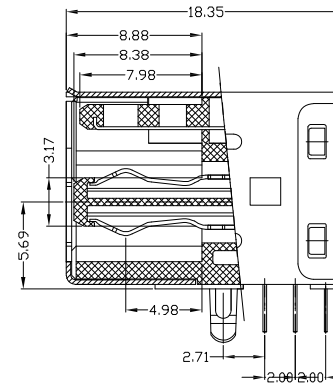
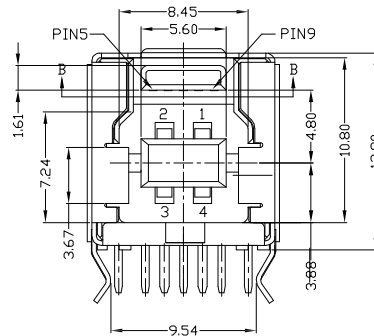
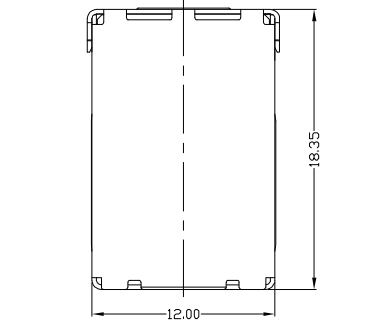
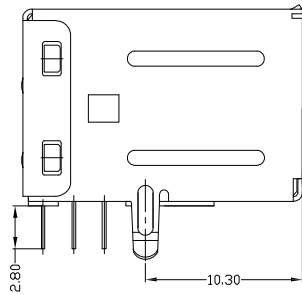
DESCRIPTION CONTROL			
REV.	DESC.	DATE	APP.

Electrical:

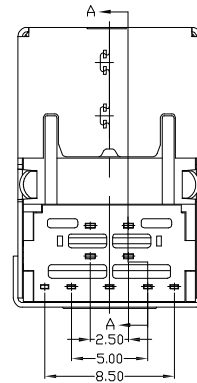
Voltage Current Rating : 1.8 Amp 30V AC.
 Insulator Resistance : 100 MΩ Min.
 Contact Resistance : 50 mΩ Max.
 Dielectric withstanding Voltage : AC 100V R.M.S.
 Temperature Range : -40°C TO +85°C



RECOMMENDED PCB LAYOUT



Section A-A



PIN NUMBER	SIGNAL NAME
1	VBUS
2	D-
3	D+
4	GND
5	STDB_SSTX-
6	STDB_SSTX+
7	GND_DRAIN
8	STDB_SSRX-
9	STDB_SSRX+
Shell	Shield

U560G-□□□□□□□□□□

No. OF PINS:

S10: Single port 90°
 S15: Single port 180°
 S20: Dual port 90°
 S30: SMT

Gold Thickness
 01: 1u"
 03: 3u"
 30: 30u"

Shell Plated
 G: Gold Plated
 N: Nickel Plated

Housing Color
 B: Black
 W: White

UNLESS OTHERWISE SPECIFIED SURFACE FINISH ALL OVER TOLERANCES mm

METRIC

.X = ±0.38
 .XX = ±0.25

DRAW:

Alan

DATE:

10/22/12

TITLE:

USB 3.0 B Female 90° Dip Type

MODEL CODE:

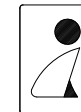
U562B-09S10-XXX

CHECK:

Kevin

APPROVE:

Tony



誠州電子有限公司

Sincere State Electronics Co.,Ltd.

NO	DESCRIPTION	QTY	SHEET	1	OF	1
----	-------------	-----	-------	---	----	---

