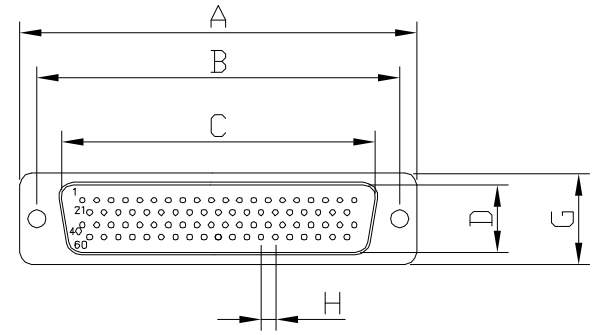
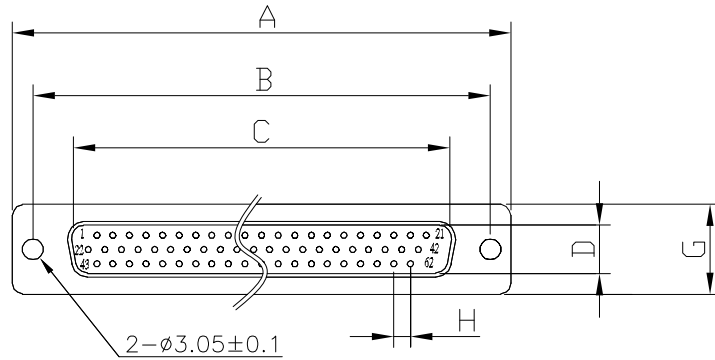


CUST. MODEL:	REF.
CUST. P/N:	DWG FILE:

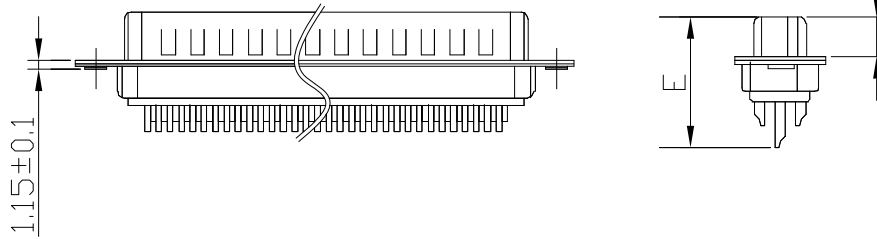
DESCRIPTION CONTROL			
REV.	DESC.	DATE	APP.

**RoHS Compliance**

Current Rating: 1.0 Amps  
Voltage Rating: 500V AC R.M.S.  
Insulator resistance: 1000 Megohms Min.  
Dielectric withstanding: AC 1000V for 1 minute  
Contact resistance: 30miliohms Megohms Max.  
Operating Temperature: -55 ~ +105 °C  
Contact Material: Brass  
Insulator Material: PBT (UL94V-0)



78 Pin (4 Row)



Positions	A	B	C	D	E	G	H
15	30.81	24.99	16.92	8.38	17.0	12.55	2.29
26	39.25	33.32	25.25	8.38	17.0	12.55	2.29
44	53.04	47.04	38.96	8.38	17.0	12.55	2.29
62	69.50	63.50	55.42	8.38	17.0	12.55	2.41
78	67.02	61.02	52.75	11.03	17.0	15.35	2.41

DS103-□ □ 1 □ □ □ 1 □

No. DF PINS:  
15,26,44,62  
78

Contact type:  
1:Male,2:Female

Color:  
NA:White  
1:Black  
2:Blue

Shell:  
0:Tin  
1:Ni

Contact:  
1:Gold flash and Tinned Tail  
2:15u" Gold on contact  
3:30u" Gold on contact  
4:Selective Gold (full Gold)

Position of clinch nut:  
0:3.05mm clear hole  
1:Riveted front shell  
2:Riveted rear shell  
3:Riveted boardlock

Flange Mounting Option:  
0: 3.05mm clear hole  
1: #4-40 threaded hole  
2: #4-40 threaded hole with #4-40 unc screwlock installed  
3: #4-40 threaded hole with #4-40 unc screwlock bulk-packed  
4: M3 threaded hole  
5: M3 threaded hole with M3 screwlock installed  
6: M2.6 threaded hole  
7: M2.6 threaded hole with M2.6 screwlock installed

UNLESS OTHERWISE SPECIFIED SURFACE FINISH ALL OVER TOLERANCES mm

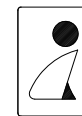
METRIC

.X = ±0.38  
.XX = ±0.25

DRAW: *BEN*  
DATE: 11/15/02  
CHECK: KEVIN  
APPROVE: *TONY*

TITLE: D-Sub HDD Male Solder Type

MODEL CODE: DS103-XX1XXX1X



**誠州電子有限公司**  
Sincere State Electronics Co.,Ltd.

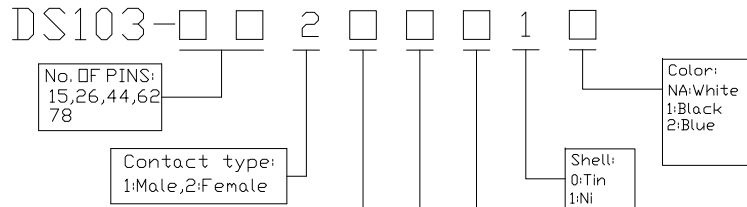
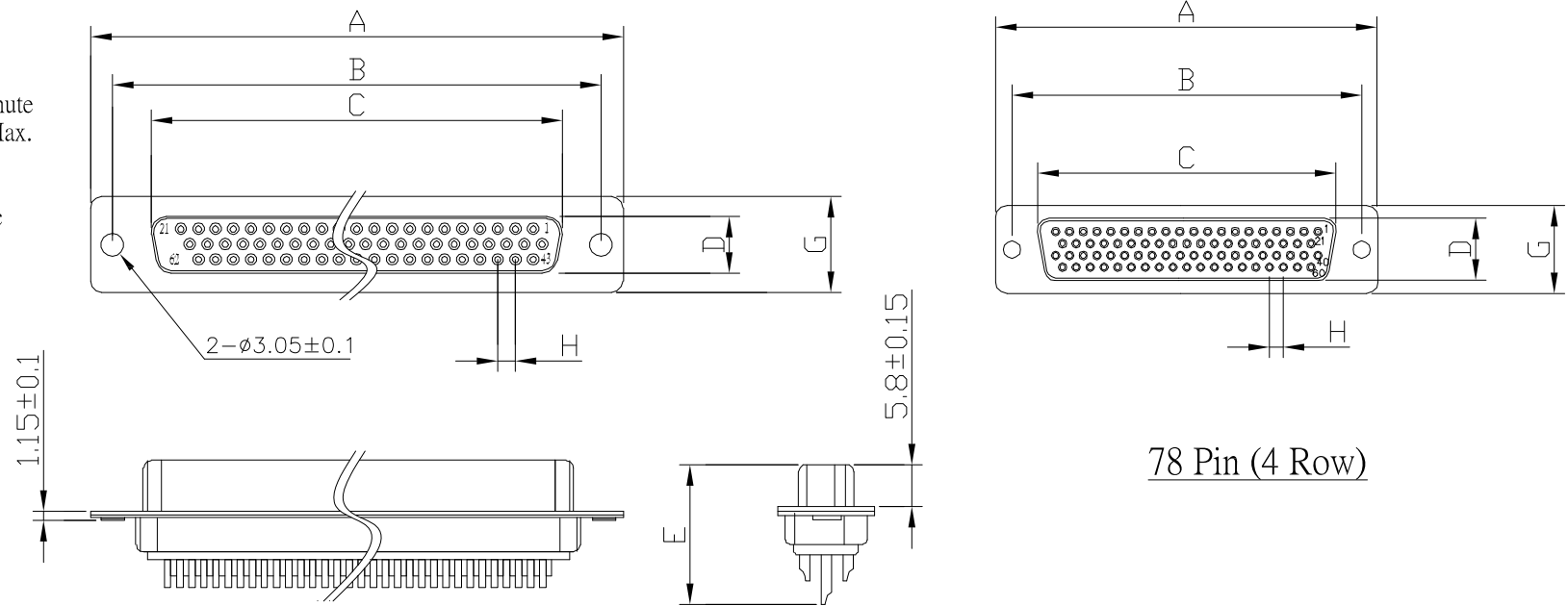
NO	DESCRIPTION	QTY
----	-------------	-----

CUST. MODEL:	REF.
CUST. P/N:	DWG FILE:

DESCRIPTION CONTROL			
REV.	DESC.	DATE	APP.
1.0			

**RoHS Compliance**

Current Rating: 1.0 Amps  
Voltage Rating: 500V AC R.M.S.  
Insulator resistance: 1000 Megohms Min.  
Dielectric withstanding: DC1000V for 1 minute  
Contact resistance: 30miliohms Megohms Max.  
Operating Temperature: -55 ~ +85 °C  
Contact Material: Brass  
Insulator Material: High temp. thermoplastic (UL94V-0)



Positions	A	B	C	D	E	G	H
15	30.81	24.99	16.33	8.0	16.5	12.55	2.29
26	39.25	33.32	24.66	8.0	16.5	12.55	2.29
44	53.04	47.04	38.38	8.0	16.5	12.55	2.29
62	69.50	63.50	54.84	8.0	16.5	12.55	2.41
78	67.02	61.02	52.36	10.9	16.5	15.35	2.41

Contact:  
1:Gold flash and Tinned Tail  
2:15u" Gold on contact  
3:30u" Gold on contact  
4:Selective Gold (full Gold)

Position of clinch nut:  
0:3.05mm clear hole  
1:Riveted front shell  
2:Riveted rear shell  
3:Riveted boardlock

Flange Mounting Option:  
0: 3.05mm clear hole  
1: #4-40 threaded hole  
2: #4-40 threaded hole with #4-40 unc screwlock installed  
3: #4-40 threaded hole with #4-40 unc screwlock bulk-packed  
4: M3 threaded hole  
5: M3 threaded hole with M3 screwlock installed  
6: M2.6 threaded hole  
7: M2.6 threaded hole with M2.6 screwlock installed

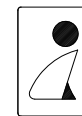
UNLESS OTHERWISE SPECIFIED SURFACE FINISH ALL OVER TOLERANCES mm

METRIC

.X = ±0.38  
.XX = ±0.25

DRAW:	DATE:
BEN	11/15/02
CHECK:	APPROVE:
KEVIN	TONY

TITLE:	D-Sub HDD Female Solder Type
MODEL CODE:	DS103-XX2XXX1X



誠州電子有限公司  
Sincere State Electronics Co.,Ltd.

NO	DESCRIPTION	QTY
----	-------------	-----